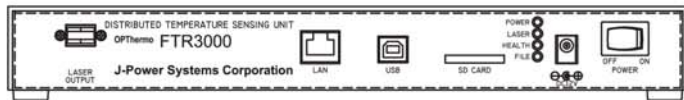
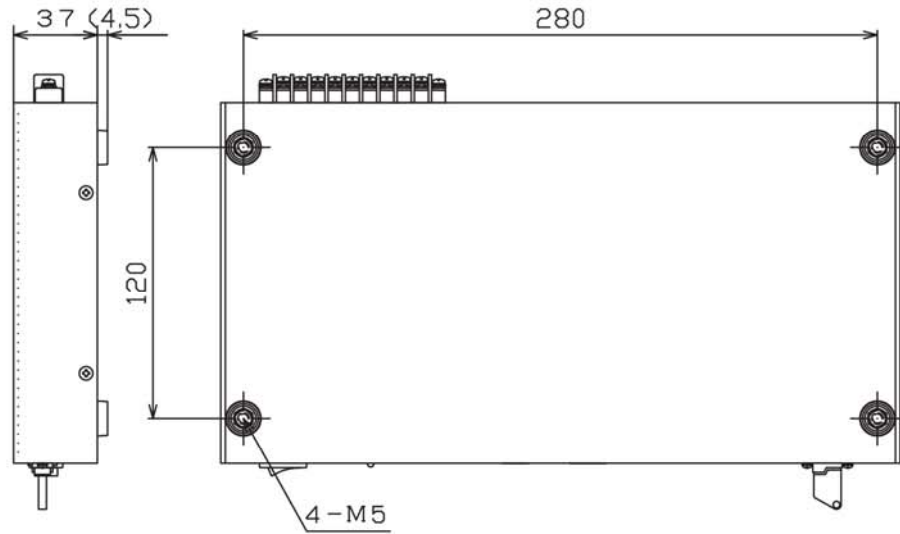
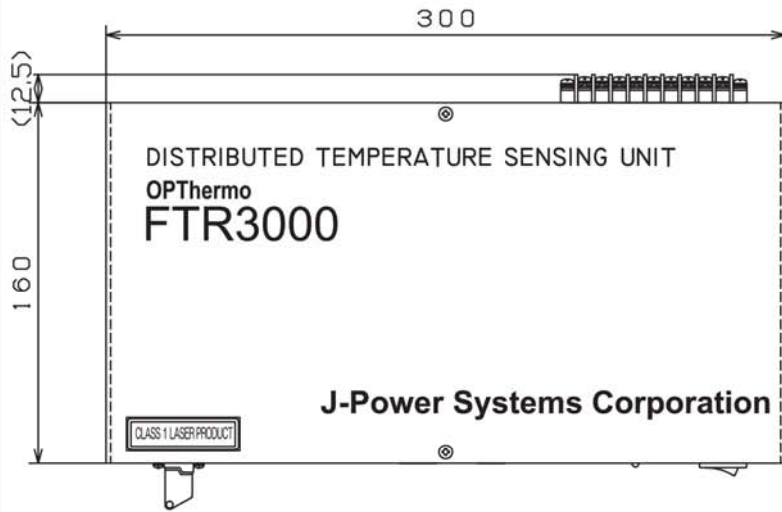


REV	DESCRIPTION	DATE	DRAWN	DESIGNED	APPROVED



Size of screw: M3  
pitch: 7.62mm



Main body material: Steel  
Painting color: 5Y8/1

DRAWN	NHashimoto	⊕
DESIGNED	T.Shioji	SCALE 1/1
APPROVED	K.Hashiba	16 Apr. '15

FTR3000

SUMITOMO ELECTRIC INDUSTRIES, LTD.	DRG.No.	JPH401428	
------------------------------------	---------	-----------	--