

AirMT™ Series

Non-contact multi-fiber interconnect

Advantages

- Easy cleaning
- Low insertion loss
- Low mating force
- High durability
- No epoxy in the beam
- Cost effective

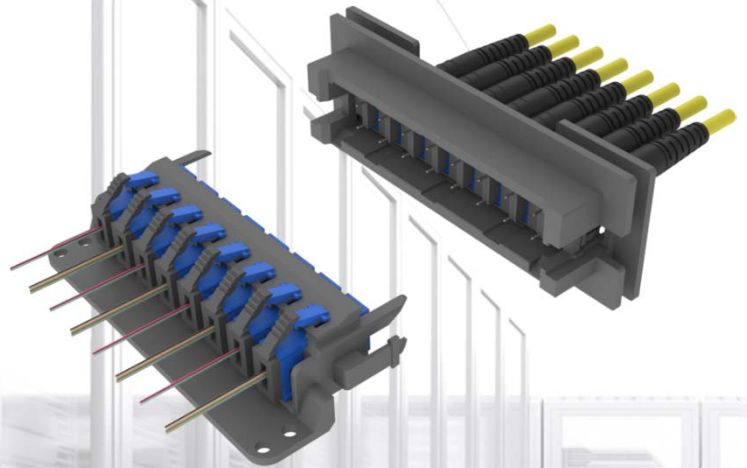
Applications

- Optical backplane interconnect
- On board and board to board
- Servers & switch fabrics
- High performance computing



AirMT™ series lineup*

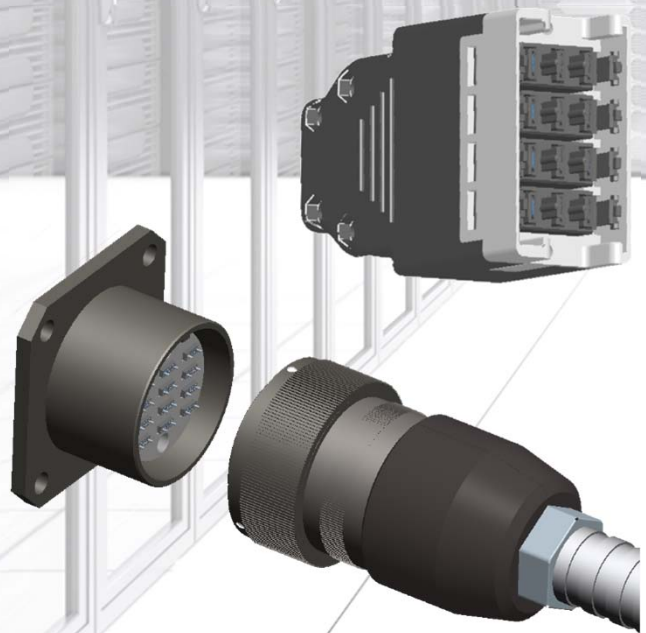
FlexAirConnect™ **



AirMT™ MPO



AirMT™ custom solutions



* AirMT™ : Registered trademark by Sumitomo Electric Industries, LTD. and SENKO ADVANCED COMPONENTS, INC.

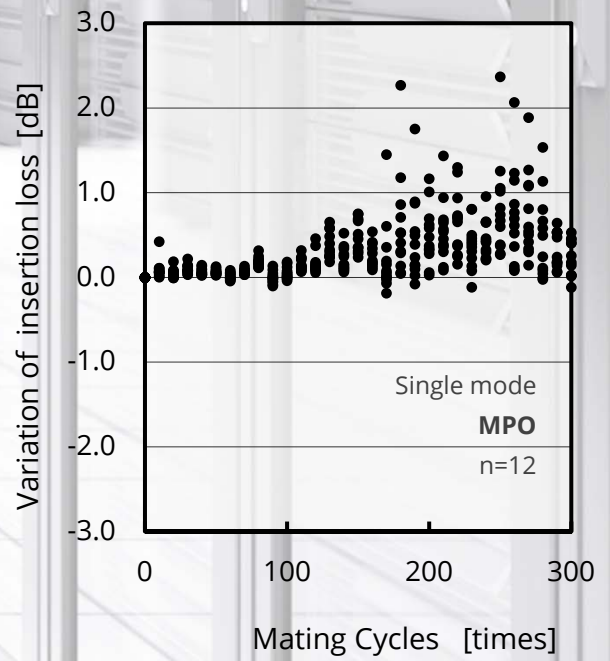
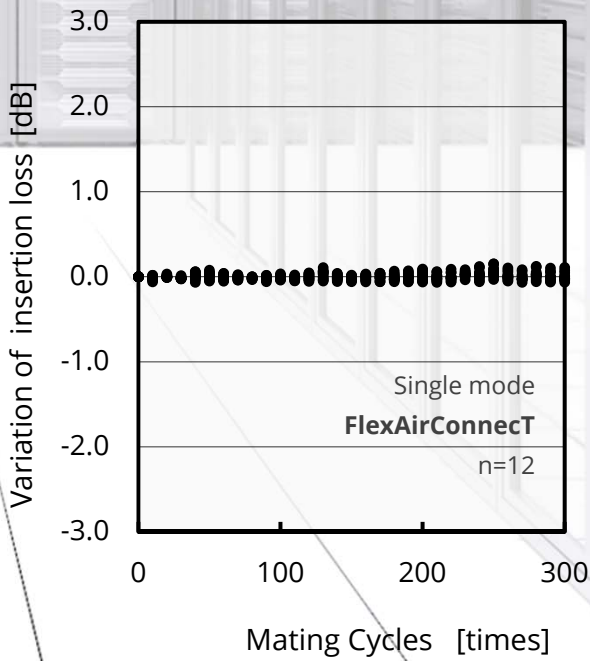
** FlexAirConnect™ : Registered trademark by Sumitomo Electric Industries, LTD.

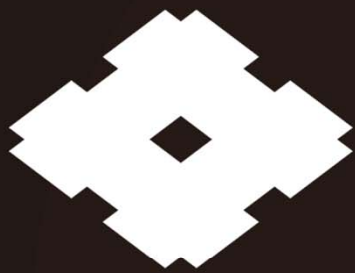
Characteristics

| | Fiber count | Mating force | Operation temp. | IL typ. | IL max. | RL min. |
|-------------|-------------------|--------------|-----------------|---------|---------|---------|
| Single mode | 8, 12, 16, 24, 32 | < 3N | - 40 ~ 75°C | 0.2 dB | 0.5 dB | 55.0 dB |
| Multi-mode | | | | 0.2 dB | 0.25 dB | 45.0 dB |

Measured with FlexAirConnect™ housing

Mating durability without cleaning





SUMITOMO ELECTRIC



http://www.global-sei.com/fiber_optic_interconnect

interconnect@info.sei.co.jp